

REPLACEMENT SHEET

Application No. 10/710,629

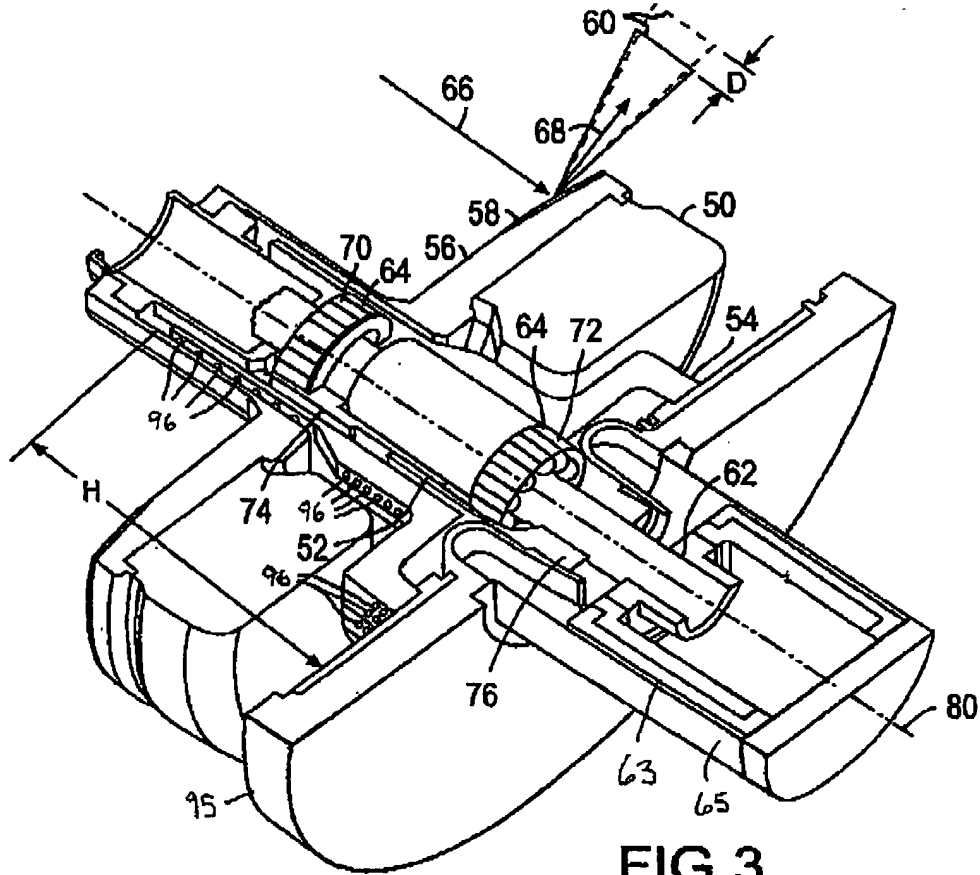


FIG. 3

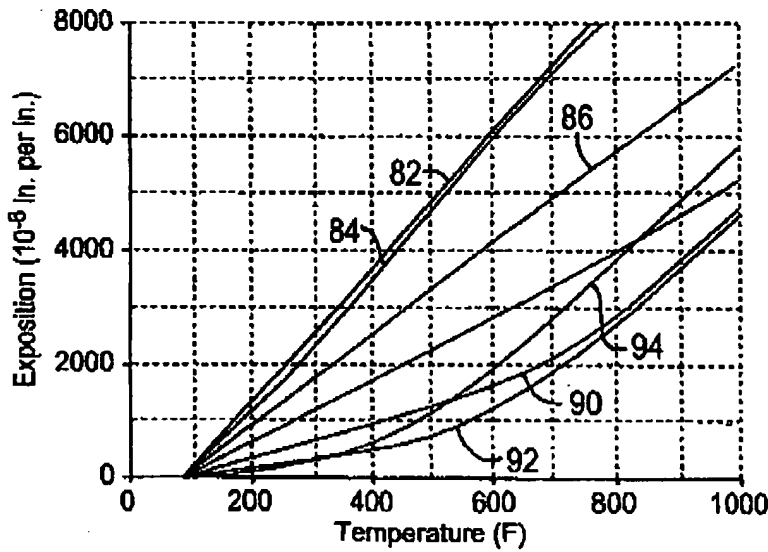


FIG. 4